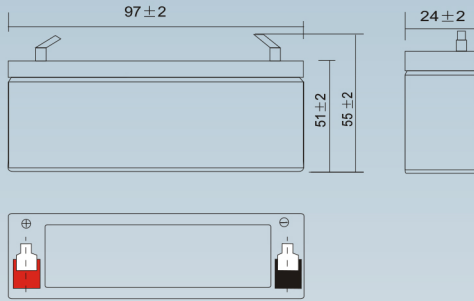


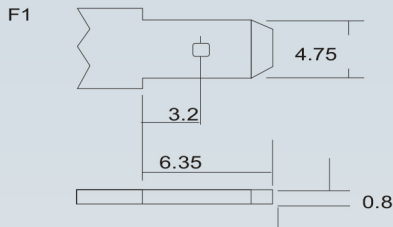
PS Range

(5yr Design Life in Float Service at 20°C)

Dimensions (mm)



Standard terminal (mm)



Physical Specification

Nominal Voltage		6V
Nominal Capacity		1.3 AH
Dimension	Length	97 ± 2 mm
	Width	24 ± 2 mm
	Container Height	51 ± 2 mm
	Total Height (with terminal)	55 ± 2 mm
Weight		Approx 0.29kg
Standard Terminal		F1

PS-612ST 6V 1.3AH



Discharge Characteristics (25°C, 77°F)

Rated Capacity	20hr Rate (1.80V/Cell)	1.20AH	Constant Voltage Charge	Cycle	Initial Charging Current Less than 0.3A Voltage 7.20V ~ 7.50V at 25°C (77°F)
	10hr Rate (1.80V/Cell)	1.12AH			
Capacity Affected by Temperature	5hr Rate (1.75V/Cell)	1.01AH	Standby	Recommended Charge Current less than 0.3A Voltage 6.75V ~ 6.90V at 25°C (77°F)	
	3hr Rate (1.75V/Cell)	0.88AH			
	1hr Rate (1.60V/Cell)	0.73AH			
	40°C (104°F)	103%			
25°C (77°F)	100%	86%			
0°C (32°F)	86%				

Internal Resistance mΩ

Approx 65.0 mΩ

Constant Current Discharge Characteristics Unit: Amperes (25°C, 77°F)

F.V/Time	5min	10min	15min	20min	30min	45min	1h	2h	3h	4h	5h	6h	8h	10h	20h
1.85V/cell	2.30	1.61	1.32	1.15	0.922	0.709	0.580	0.354	0.270	0.222	0.188	0.163	0.130	0.108	0.059
1.80V/cell	2.83	1.92	1.54	1.30	1.02	0.773	0.624	0.376	0.284	0.233	0.196	0.170	0.134	0.112	0.060
1.75V/cell	3.36	2.17	1.69	1.41	1.09	0.821	0.656	0.392	0.294	0.240	0.202	0.174	0.138	0.114	0.061
1.70V/cell	3.81	2.39	1.83	1.52	1.14	0.853	0.684	0.409	0.303	0.246	0.207	0.179	0.140	0.116	0.062
1.65V/cell	4.20	2.57	1.94	1.59	1.19	0.886	0.713	0.421	0.311	0.251	0.211	0.182	0.142	0.117	0.063
1.60V/cell	4.41	2.68	2.02	1.65	1.23	0.906	0.728	0.434	0.318	0.258	0.216	0.186	0.145	0.119	0.063

Constant Power Discharge Characteristics Unit: (Watts/cell) (25°C, 77°F)

F.V/Time	5min	10min	15min	20min	30min	45min	1h	2h	3h	4h	5h	6h	8h	10h	20h
1.85V/cell	4.35	3.06	2.55	2.23	1.80	1.39	1.14	0.701	0.536	0.442	0.377	0.327	0.261	0.217	0.120
1.80V/cell	5.28	3.61	2.93	2.50	1.98	1.51	1.22	0.741	0.560	0.462	0.390	0.339	0.269	0.224	0.121
1.75V/cell	6.18	4.05	3.20	2.70	2.10	1.59	1.28	0.768	0.577	0.474	0.399	0.345	0.274	0.226	0.121
1.70V/cell	6.93	4.42	3.43	2.88	2.19	1.64	1.33	0.796	0.592	0.483	0.406	0.352	0.277	0.229	0.122
1.65V/cell	7.54	4.69	3.59	2.99	2.26	1.70	1.37	0.814	0.604	0.490	0.413	0.357	0.280	0.231	0.124
1.60V/cell	7.79	4.82	3.70	3.05	2.30	1.72	1.39	0.834	0.615	0.499	0.419	0.362	0.284	0.234	0.124



BATTERYCHARGED
Unit 17
M11 Business Link
Stansted
Essex
CM24 8GF

Tel: 03300 412187
www.batterycharged.co.uk
email: info@batterycharged.co.uk